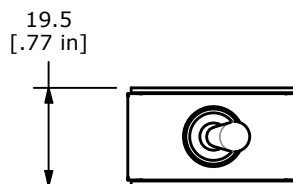
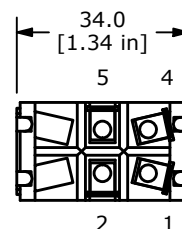
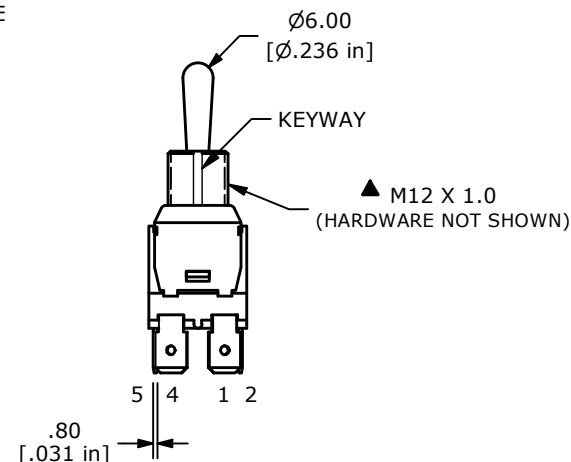
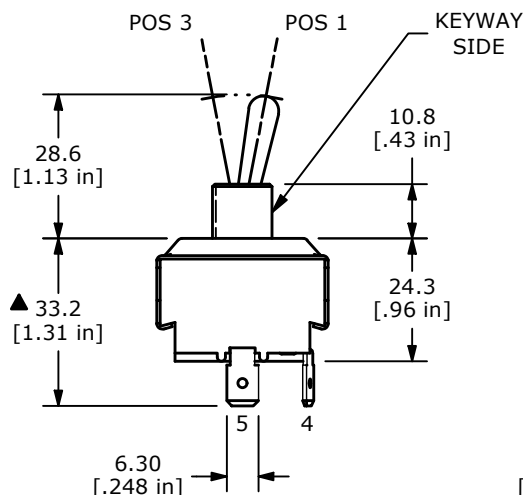


RECOMMENDED PANEL CUT OUT



▲ SWITCH FUNCTION		
POS. 1	POS. 2	POS. 3
OFF	N/A	ON
OPEN	N/A	1-2, 4-5



- NOTES:
- ALL DIMENSIONS IN MM
 - GENERAL TOLERANCE: X.X = ±0.5
X.XX = ±0.25
 - TERM. NOS. FOR REFERENCE ONLY
 - ELECTRICAL LIFE: 6,000 CYCLES
 - OPERATING TEMP: 0°C to 85°C
 - CONTACT RESISTANCE: 50mΩ MAX. INITIAL
 - INSULATION RESISTANCE: 2MΩ AT 500VDC
 - DIELECTRIC STRENGTH: 1000VAC FOR 1 MINUTE
 - ▲ DENOTES CRITICAL PARAMETER
 - CONTACT RATING: 20A 125VAC,
15A 277VAC
2HP 125/277VAC
 - SUPPLIED HARDWARE: 2 HEXNUTS



OBJECT ID
000001098

C	24486	DRAWING UPDATE CAD TO INVENTOR	9/14/20	MJR
B	19380	CORRECTED PANEL CUTOUT AND SPECS	11/16/10	CAB
REV	PCR NO	DESCRIPTION	DATE	BY

TITLE ST242D00				
SCALE 2:3	DATE 8/5/2009	DR CAB	DWG 34-ST242D00	REV C

THE INFORMATION CONTAINED IN THIS DOCUMENT IS PROPRIETARY TO E-SWITCH AND IS NOT TO BE COPIED OR TRANSFERRED